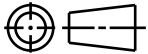
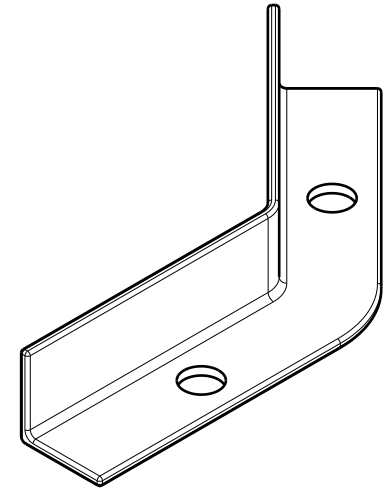
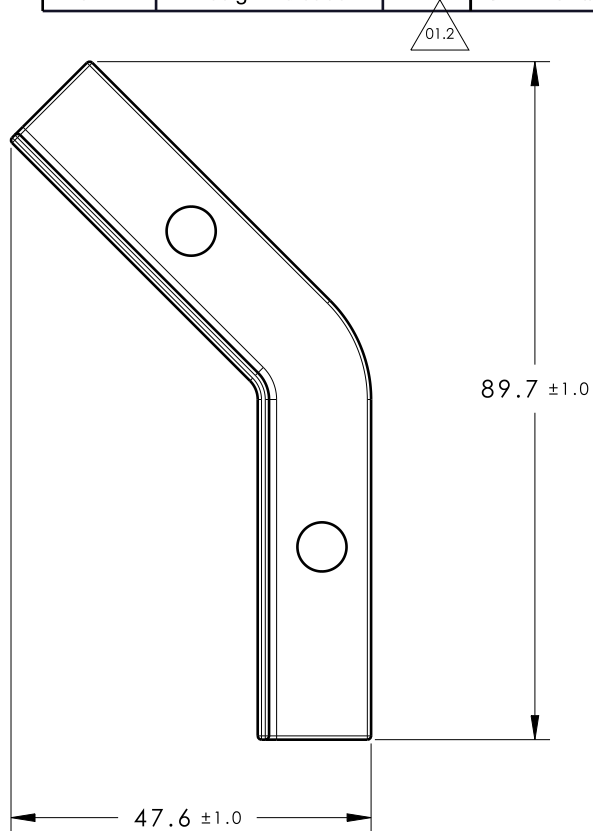
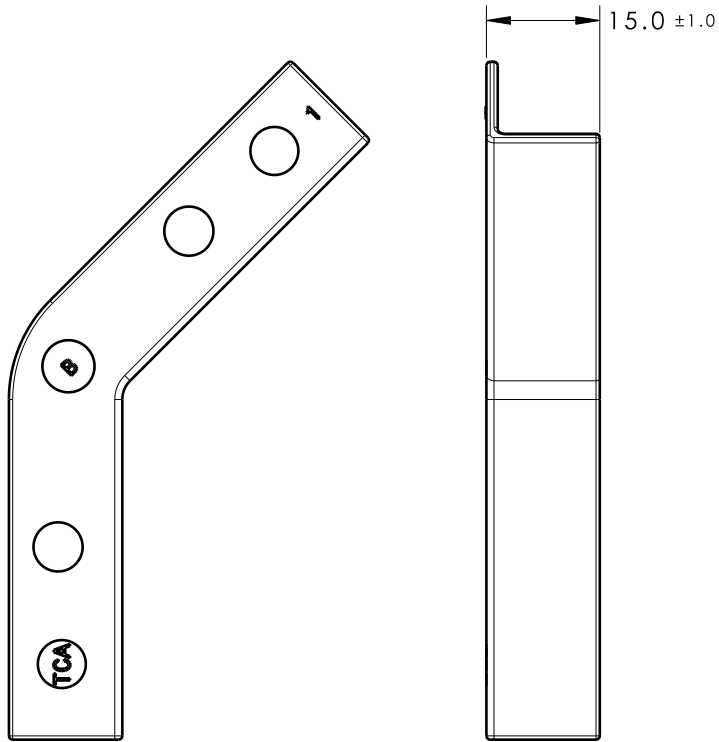


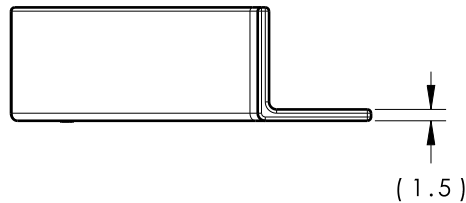
CATIA V5



Revision Level			Revision Record	Changed	Date	Approved	Date
Drawing	State	Part					
01.2	Design Release	B	SEE ECN# 012802	CJR	09/03/14	KVH	09/03/14



ISOMETRIC VIEW



Material
PP20%TC
COLOR: BLACK

Units millimeters

Tolerance defined on each dimension

The copyright of this drawing is reserved by HellermannTyton. It is issued on condition that it is not reproduced, copied or disclosed to a third party, either wholly or in part, without the consent of HellermannTyton.

Drawn	CJR	10/17/13
Approved	SJA	10/17/13
HellermannTyton		
North America		
Web: www.hellermann.tyton.com		

Article/Type-No	45MINICHNL2
Title	45 DEGREE MINI CHANNEL WITH HOLES
Drawing-No	13-1051-001-CSU
PRODUCTION : Phase	

Scale	1:1
Project Number	13-1051
Format	AH
Sheet	1/1